

# Product Details GL25



## Specification

Output	SO	HO	SHO
Power Consumption	9.6W/m	14.4W/m	18W/m
Voltage	24VDC	24VDC	24VDC
IP Rating	IP40 or IP65	IP40 or IP65	IP40 or IP65
LED Colour <sup>1</sup>	2.7K/3.0K/4.0K/5.0K, RGBW or WWCW (White Mix 2.7K - 6.5K)		
Dimensions:		25mm	
Width			
Length	115mm to 2965mm in 50mm increments		
Depth <sup>2</sup>		32mm	
Mount Type <sup>3</sup>	Keyhole (KH), Magnet (MG) & Plaster-in (PL)		
Finish	Flush (F) or Proud (P)		
Control	0-10V/1-10V/DMX/DALI/SPI		

### Notes

- 1 Other colours available on request.
- 2 Depth excludes grommet, glands & cables.
- 3 Other mount types available on request.
- 4 For curved and shaped configurations, please contact the office to discuss your requirements.

### Order code

GL25-Output-IP Rating-LED Colour-Mount Type-Finish-Length-Dimming

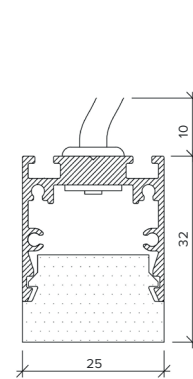
**Example code: GL25-SO-IP40-3.0K-SM-F-2065-DALI**

Description: Glowline 25, standard output, IP40, 24VDC constant voltage LED with 3000K colour temperature. Surface mounted with flush diffuser. Length=2065mm DALI dimmable.

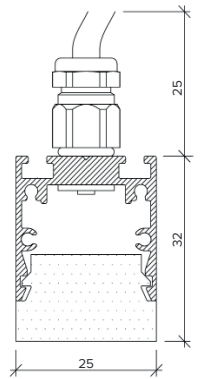


### Chassis

IP44

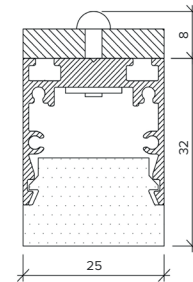


IP65

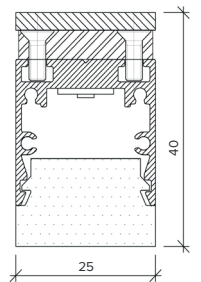


### Mount Type

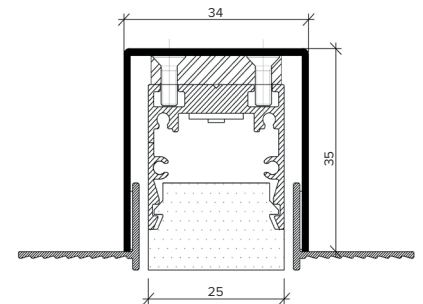
Keyhole (KH)



Magnet (MG)



### Plaster-in (PL)



**the light lab**  
bright ideas