



Glowrail

spec sheet

Key features

Tailored: Fully tailorable in curved/straight/angular and helical sections with even light diffusion throughout.

LED: Wide range of light outputs, colour temperatures and colours.

Control: Switched, 0-10/1-10v, DALI, DMX and SPI dimming protocols.

Material: Stainless Steel, Anodised Aluminium and Wood with various cladding options.

Aesthetic: Harmonised joins and mechanical fixing for discreet architectural integration.

Longevity: 50,000+ LED lifetime expectancy.

Sustainability: Maintainable LED modules.

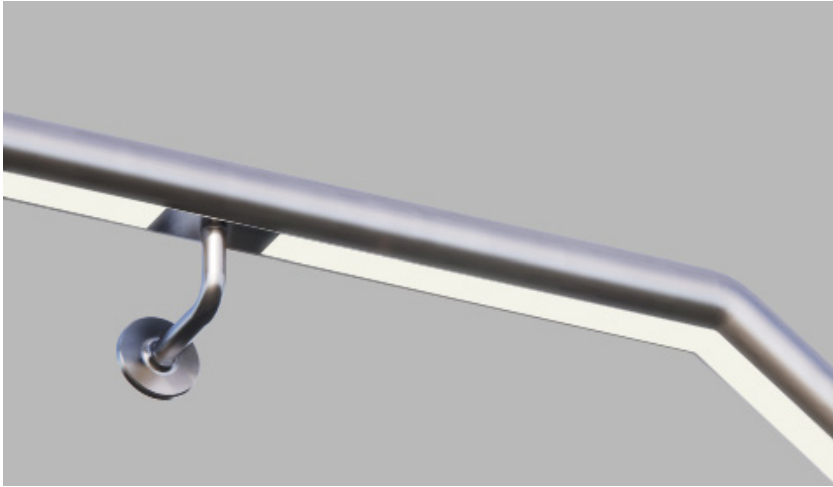
Application: Interior and exterior pathway and stair lighting.

Glowrail by The Light Lab



Glowrail

Product Details Glowrail



Specification

Output	SO	HO
Power Consumption	9.6 W/m	14.4 W/m
Efficacy	54 Lm/W	73 Lm/W
Voltage	48VDC	48VDC
IP Rating	IP40 or IP65	
LED Colour ¹	2.7K/3.0K/4.0K/5.0K, RGBW, WWCW (White Mix 2.7K - 6.5K)	
Diameter ²	See X-Section Diagram	
Mount Type	Post (PT), Bracket (BK), Balustrade (BD)	
Handrail Finish ³	Brushed S/Steel (BR) Polished S/Steel (PO) Powder-coated (PC) / Aluminium (AL) Timber (TI) / Leather Cladding (LC)	
Control	0-10V/1-10V/DMX/DALI/SPI	

Notes

- 1 Other colours available on request.
- 2 For integration into a bespoke profile, please contact the team.
- 3 Stainless Steel 304 or 316. Other finishes available on request.

Order code

GR-Diameter-IP Rating-LED Colour-Mount Type-Finish-Length-Dimming

Example: Code: GR42-SO-IP40-SS-3.0K-BK-BR-6000-DALI

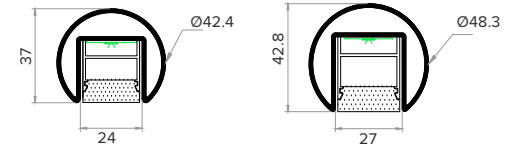
Description: Glowrail42, standard output, IP40, 48VDC constant voltage, LED with 3000K colour temperature. bracket mounted in brushed stainless steel. Length=6000mm. DALI Dimmable



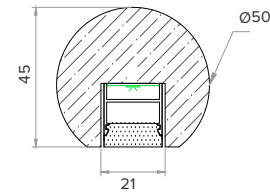
X Section

Ø42.4mm

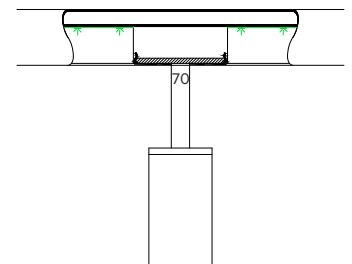
Ø48.3mm



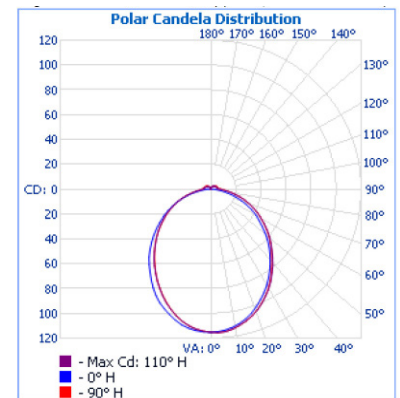
Ø50mm timber



Typical Bracket Coverplate



Photometric Info



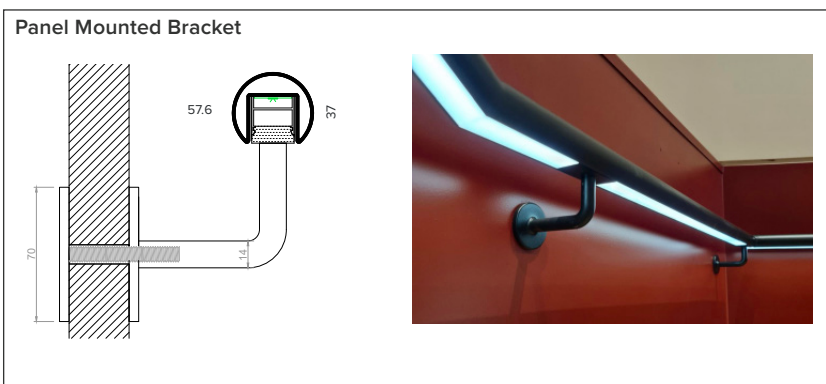
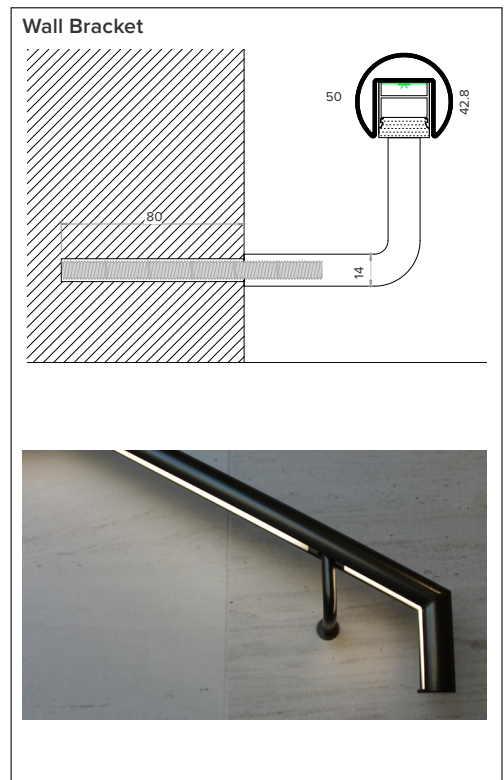
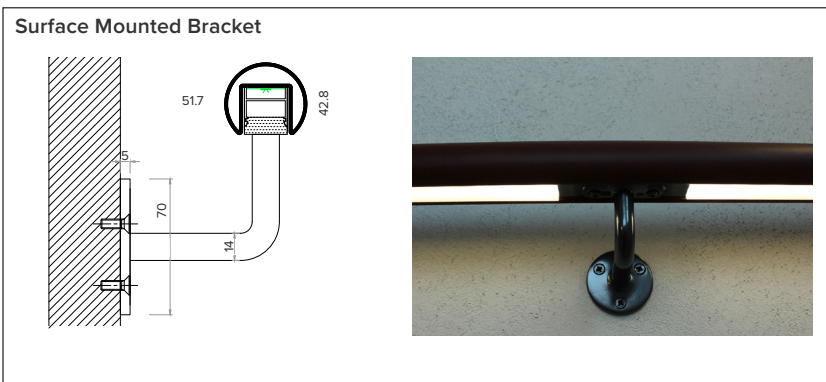
Photometric data from a GL25-HO fitting LTD & IES files available on request



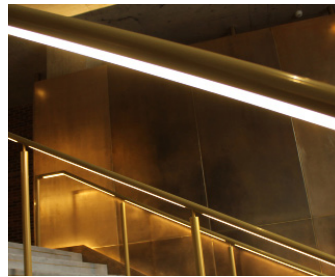
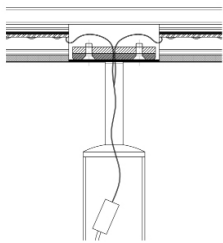
The Light Lab
22 Holywell Row
London EC2A 4JB
+44 (0) 207 278 2678
@thelightlabltd
www.thelightlab.com

the light lab
bright ideas

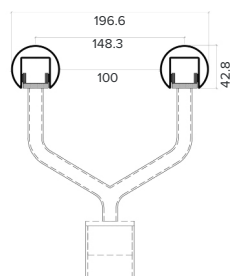
Typical Fixing Details Glowrail



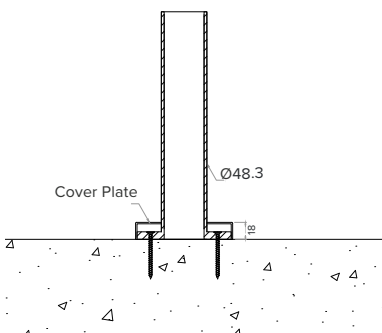
**Standard Post Bracket
Top Detail**



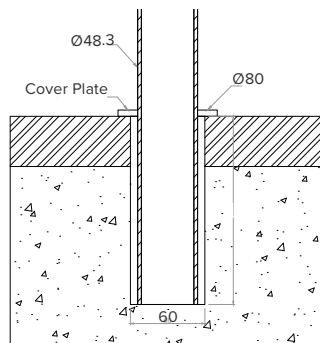
Split Post Bracket



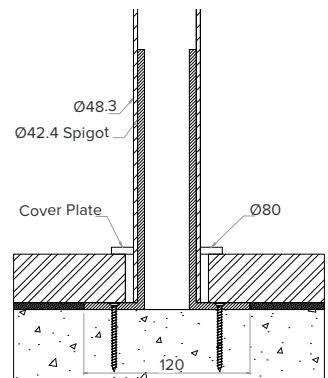
**Bottom Detail
Surface Mount Post Bracket**



Grouted in Post



Internal Spigot Plate



Project Images



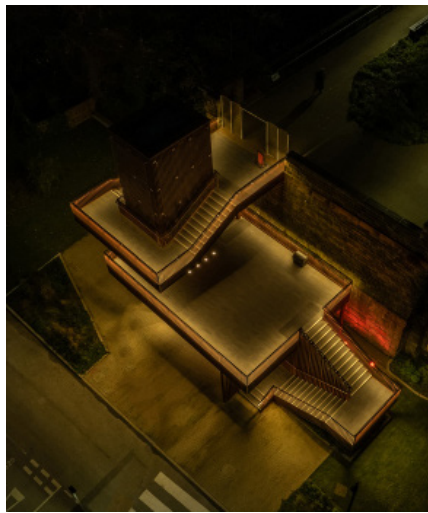
Hiscox, York



London College of Fashion



University of Edinburgh



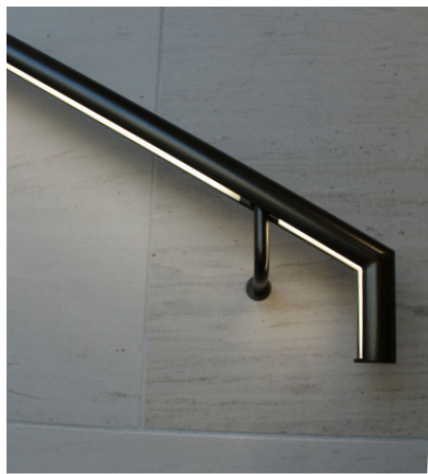
Wellington Place, Leeds



Freshfields, London



Purdy's Wharf, Canada



Private School, London



Shrewsbury Flaxmill